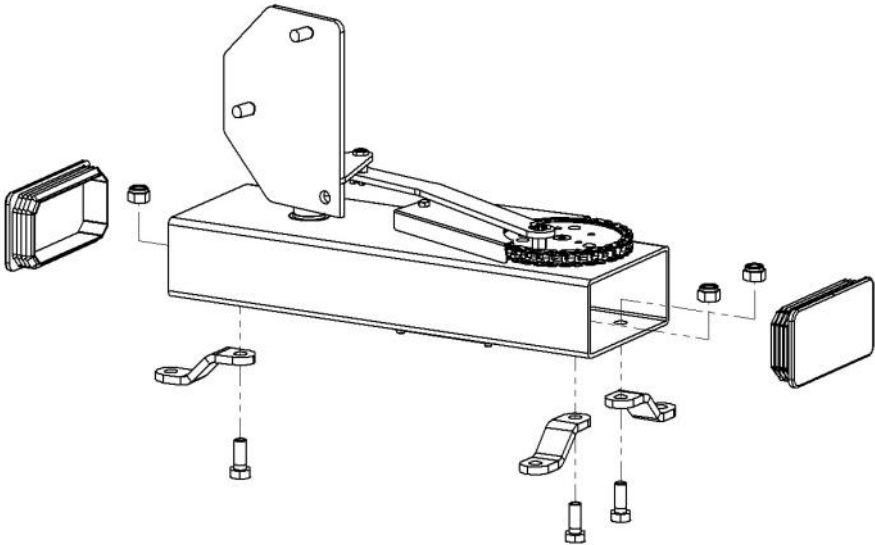




Fitting Instructions

Fixing legs - Merlin & Hobby



Assemble the Fixing Legs to the Rotation box :

Remove the plastic end caps from both ends of the rotation box (best achieved by gently prying away from one corner)

Fit two legs using the bolts and nuts provided through the two holes at the front of the rotation box and set them at right angles to the sides, as shown in the diagram above.

Fit the remaining leg to the outer of the two holes at the rear of the rotation box and set it parallel with the sides of the box so that it projects to the rear as shown.

Fully tighten all nuts ensuring that the brackets do not rotate out of place.

Refit the plastic end caps to the rotation box.

Refer to the main operating instructions for all other assembly and operational steps which may be required for the particular trap model.

WARNING THE TRAP MUST BE FIXED BEFORE USE - SEE OVERLEAF



The main operating instructions must be read in full before attempting to operate the machine



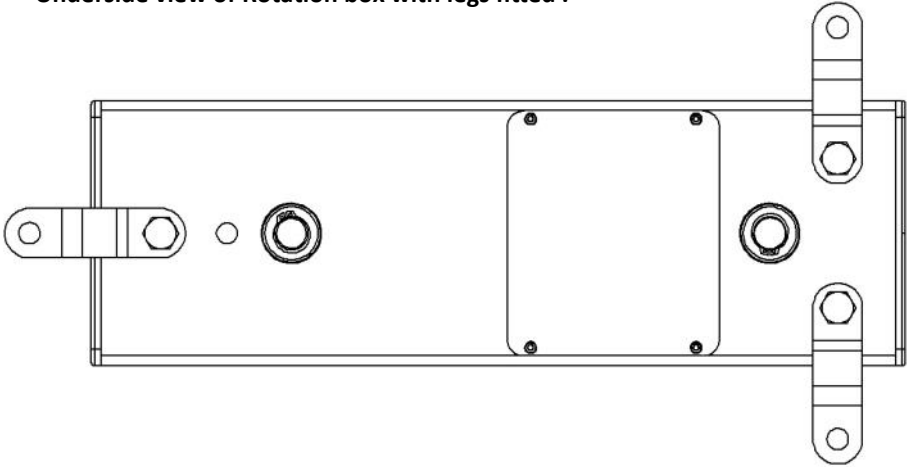
MACHINE MUST BE FIXED IN PLACE:

When fitted with fixing legs, the product **MUST** be bolted to a solid surface such as a concrete pad or other suitable surface.

THE TRAP WILL BE UNSTABLE IF NOT SECURELY FIXED.

Once fully assembled the trap should be fixed in place using ground anchors, through-bolts or other fixing suitable for the intended mounting surface **BEFORE** it is filled with clays or operation is attempted.

Underside view of Rotation box with legs fitted .



Promatic International Ltd.

**Station Works,
Hooton,
South Wirral
CH66 7NF,
United Kingdom.**

Tel: +44 (0) 151 327 2220 (General)
+44 (0) 1470 860800 (Sales)
Fax: +44 (0) 151 3277075

E-mail info@promatic.co.uk

Website: www.promatic.co.uk

Promatic Inc.

**7803 West Hwy 116
Gower
MO 64454
USA.**

Toll Free: 888.767.2529
Fax: 816.539.0257

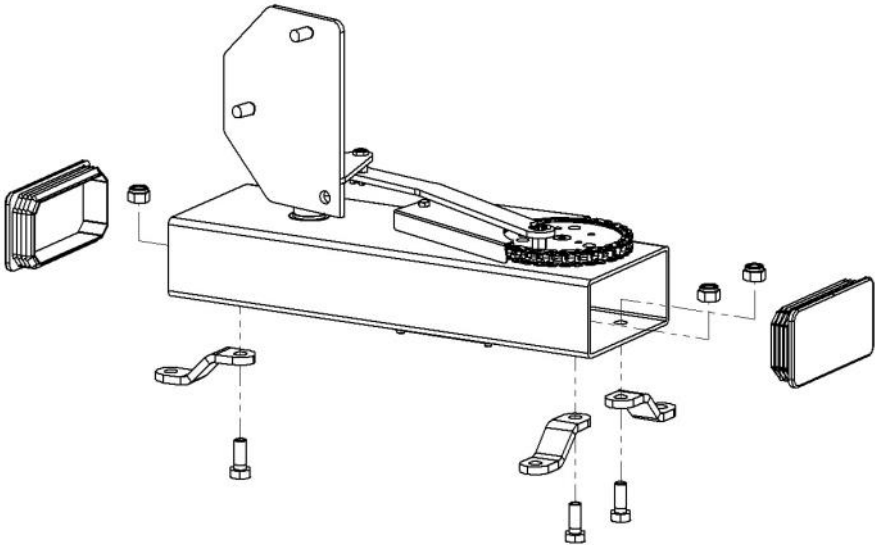
E-mail: sales@promatic.biz

Website: www.promatic.biz



Fitting Instructions

Fixing legs - Merlin & Hobby



Assemble the Fixing Legs to the Rotation box :

Remove the plastic end caps from both ends of the rotation box (best achieved by gently prying away from one corner)

Fit two legs using the bolts and nuts provided through the two holes at the front of the rotation box and set them at right angles to the sides, as shown in the diagram above.

Fit the remaining leg to the outer of the two holes at the rear of the rotation box and set it parallel with the sides of the box so that it projects to the rear as shown.

Fully tighten all nuts ensuring that the brackets do not rotate out of place.

Refit the plastic end caps to the rotation box .

Refer to the main operating instructions for all other assembly and operational steps which may be required for the particular trap model.

WARNING THE TRAP MUST BE FIXED BEFORE USE - SEE OVERLEAF



The main operating instructions must be read in full before attempting to operate the machine



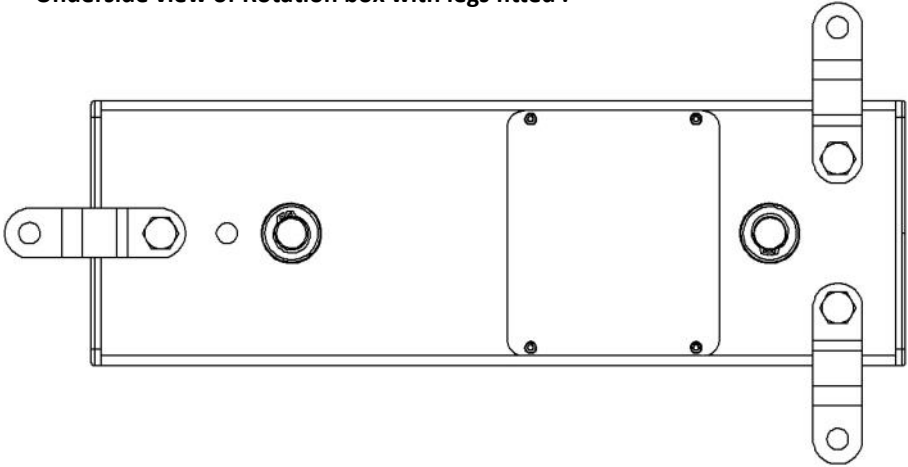
MACHINE MUST BE FIXED IN PLACE:

When fitted with fixing legs, the product **MUST** be bolted to a solid surface such as a concrete pad or other suitable surface .

THE TRAP WILL BE UNSTABLE IF NOT SECURELY FIXED.

Once fully assembled the trap should be fixed in place using ground anchors, through-bolts or other fixing suitable for the intended mounting surface **BEFORE** it is filled with clays or operation is attempted.

Underside view of Rotation box with legs fitted .



Promatic International Ltd.

**Station Works,
Hooton,
South Wirral
CH66 7NF,
United Kingdom.**

Tel: +44 (0) 151 327 2220 (General)
+44 (0) 1407 860800 (Sales)
Fax: +44 (0) 151 3277075

E-mail info@promatic.co.uk

Website: www.promatic.co.uk

Promatic Inc.

**7803 West Hwy 116
Gower
MO 64454
USA.**

Toll Free: 888.767.2529
Fax: 816.539.0257

E-mail: sales@promatic.biz

Website: www.promatic.biz